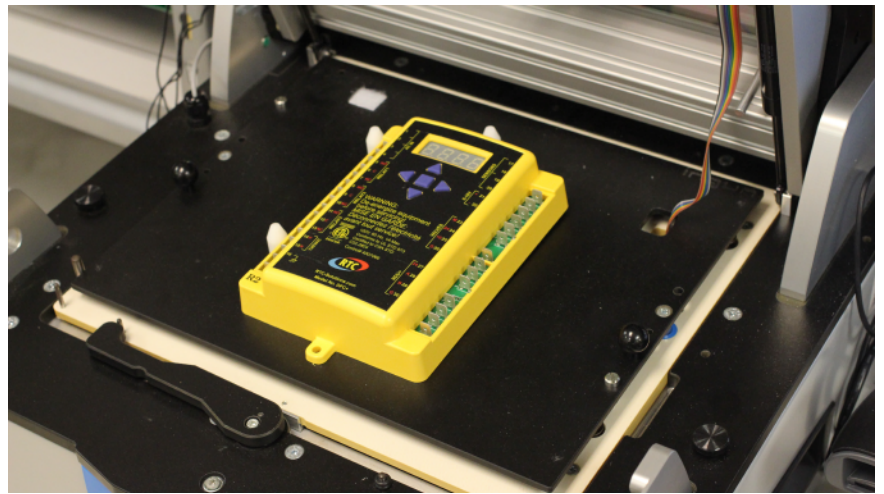
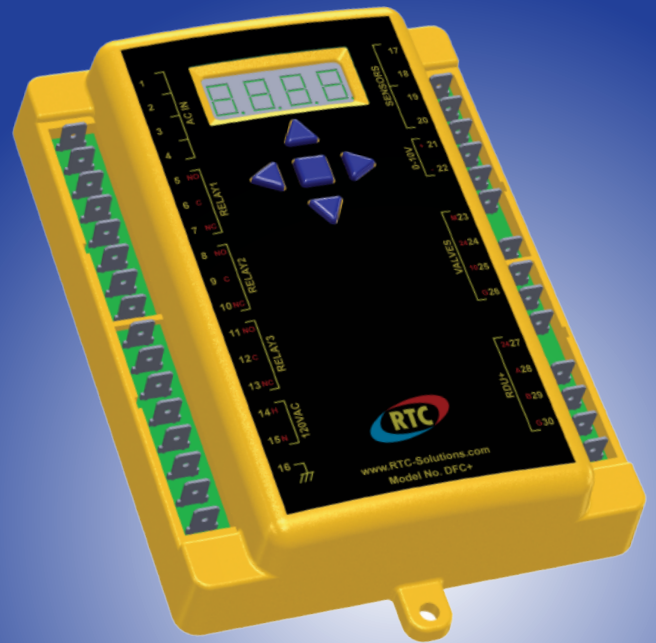


DFC+

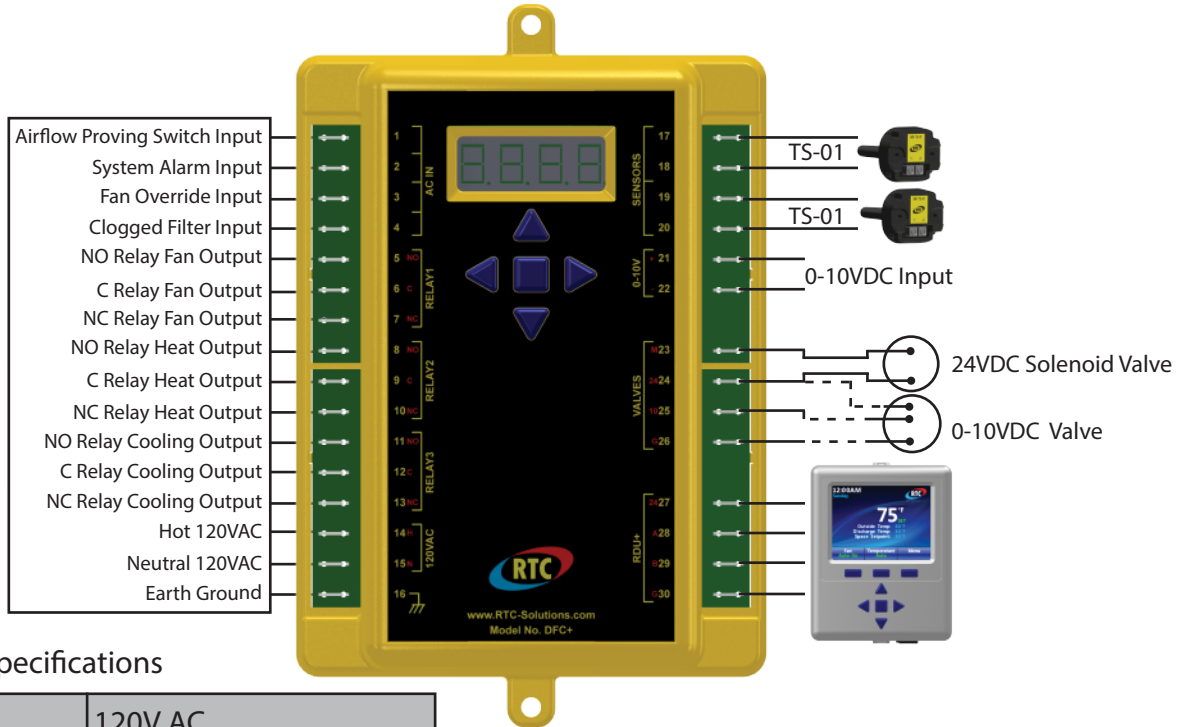
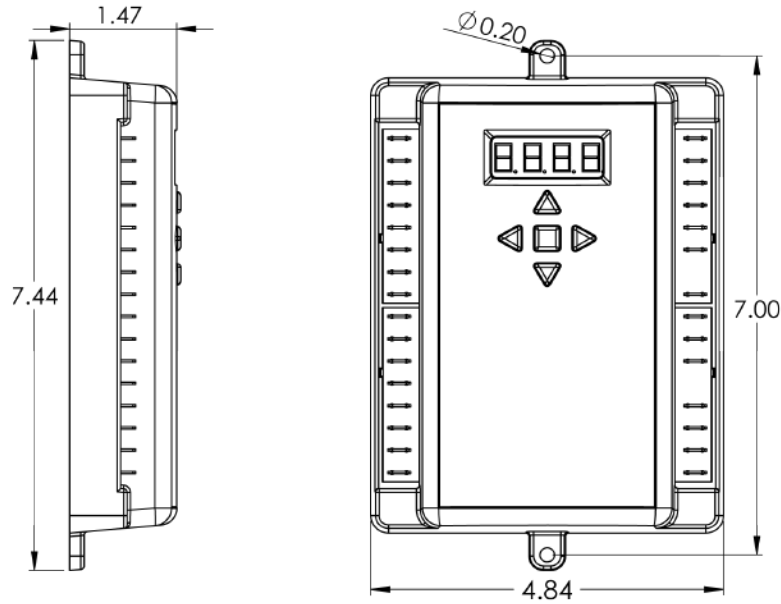
The **DFC+** is an intergrated digital gas fired heating control with a 4 digit LED display and five button interface which allows the operator to easily change settings and accomodate their needs.



- ◆ LED Display and Navigational Buttons
- ◆ Two Temperature Inputs
- ◆ Three Relay Outputs
- ◆ Two Modulating Outputs
- ◆ Heating and Cooling Control
- ◆ Freeze Stat with Delay Timer
- ◆ Remote Display Option
- ◆ Programmable Limits
- ◆ Password protection
- ◆ 0-10V Input for use with BAS Systems
- ◆ CO2 Input for Recirculating Units
- ◆ Automatic Outside Air Thermostat
- ◆ ETL Recognized
- ◆ Rated for -40°F (-4°C)

DIGITAL GAS FIRED HEATING CONTROL

DFC+



DFC+ Specifications

Power Requirements	120V AC
Current Rating Delays	3A at 125V AC
Current Rating 24V Output	0.5A
Ambient Temperature Limits	-40°F-250°F (4-48°C)
Accuracy	+/-3°F (1°C)

RTC Solutions
 4380 Oakes Road, Suite 804
 Davie Fl, 33314
 Ph. (877) 351-4702

